

## Simple, Strong and Efficient.

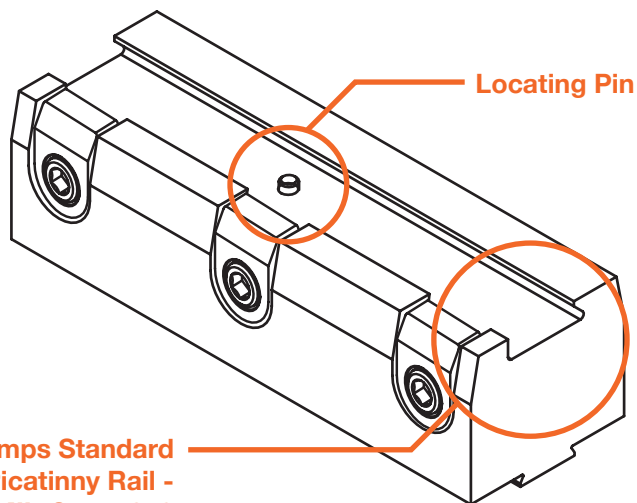
### STREAMLINED WORKFLOW, MAXIMUM OUTPUT

- Step 1:** Prepare a picatinny rail on your first operation.
- Step 2:** Seamlessly load the picatinny rail onto Raptor's Picatinny Fixture, utilizing our precision engineered locating pin.
- Step 3:** Produce a final part with unobstructed access to all five sides of the workpiece.



### UNMATCHED PERFORMANCE, GUARANTEED RESULTS

- ✓ **Faster Part Changes:** Our unique spring-loaded clamps, meticulously designed to meet DOD standards, make exchanging parts quicker than ever before.
- ✓ **Reliable Repeatability:** Achieve the accuracy and consistency necessary to meet your specifications.
- ✓ **Rigidity Redefined:** Experience unparalleled stability and rigidity
- ✓ **Turbocharged Throughput:** By machining the part in its entirety, you'll slash operation steps, saving time, resources, and boosting your overall throughput.





Clamps Standard  
DOD Picatinny Rail -  
MIL-STD-1913


### TECHNICAL SPECIFICATIONS

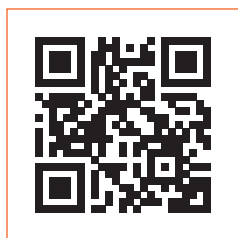
- **Mounting options:** Direct, zero-point, and dovetail
- **Material options:** 4140PHT steel and Stainless steel
- **Size options:** Two and three clamp models available

<b>RWP-PIC3SS</b>  	Min Workpiece Size (L x W x H)	5.00 x 1.75 x 0.5 inches
	Max Workpiece Size (L x W x H)	12.00 x 4.00 x 4.00 inches
	Max Workpiece Weight	54 pounds
	Diameter	4.97 inches
	Fixture height	3.00 inches
	Bolt Circle Diameter	3.800 inches
	Material	17-4 Stainless Steel
	Mounting	Direct Mount or Zero-Point

<b>RWP-PIC6-DM</b> 	Min Workpiece Size (L x W x H)	6.00 x 2.00 x 0.50 inches
	Max Workpiece Size (L x W x H)	12.00 x 4.00 x 4.00 inches
	Max Workpiece Weight	54 pounds
	Dimensions	6.00 x 2.00 x 1.625 inches
	Material	4140 PHT Steel
	Mounting	Direct Mount to Raptor Risers or Zero-Point

<b>RWP-PIC6-DT</b> 	Min Workpiece Size (L x W x H)	6.00 x 2.00 x 0.50 inches
	Max Workpiece Size (L x W x H)	12.00 x 4.00 x 4.00 inches
	Max Workpiece Weight	54 pounds
	Dimensions (L x W x H)	6.00 x 2.00 x 1.625 inches
	Material	4140 PHT Steel
	Mounting	3/4 inch Dovetail

<b>RWP-PIC9-DM</b> 	Min Workpiece Size (L x W x H)	3.50 x 2.00 x 0.50 inches
	Max Workpiece Size (L x W x H)	6.50 x 4.00 x 4.00 inches
	Max Workpiece Weight	30 pounds
	Dimensions (L x W x H)	3.50 x 2.00 x 1.625 inches
	Material	4140 PHT Steel
	Mounting	Direct Mount



Learn more about our Picatinny products and our complete line of dovetail fixtures by scanning the QR code or visit [RaptorWorkholding.com](http://RaptorWorkholding.com)

